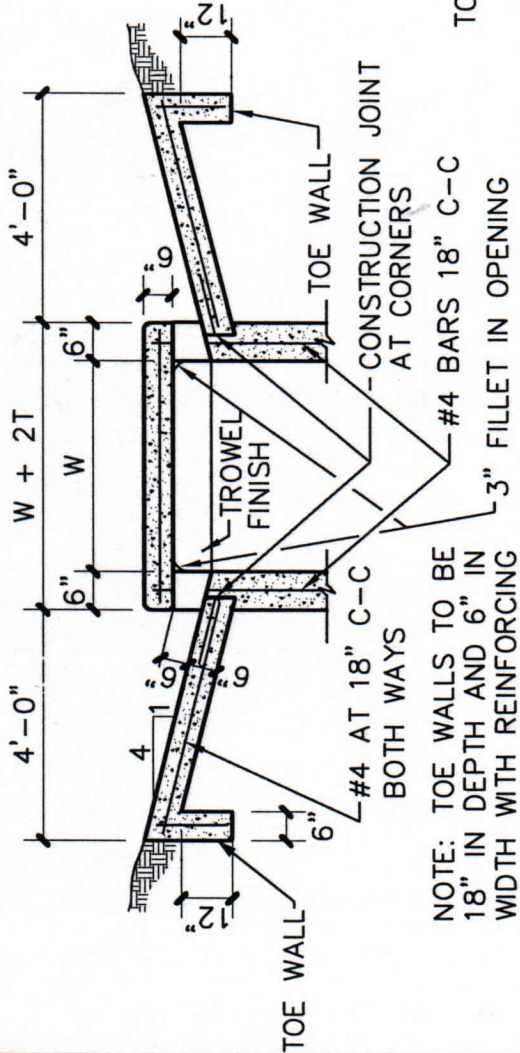


PLAN VIEW
N.T.S.

INLET SIZE	T	W
2' SQUARE	7"	2'-0"
4' SQUARE	7"	4'-0"
5' SQUARE	8"	5'-0"
6' SQUARE	9"	6'-0"
7' SQUARE	9"	7'-0"
8' SQUARE	9"	8'-0"

FOR LOWER PORTION OF 2' SQUARE DROP INLET USE REINF. STEEL DETAILS OF 4' SQUARE MANHOLE AND ELIMINATE INLET RING AND COVER.



SECTION A-A
N.T.S.

NOTE: TOE WALLS TO BE 18" IN DEPTH AND 6" IN WIDTH WITH REINFORCING BARS.

NOTES:

1. MATERIAL AND WORKMANSHIP SHALL CONFORM WITH THE REQUIREMENTS OF STANDARD SPECIFICATIONS FOR STANDARD CONCRETE MANHOLES.
2. LAYERS OF REINFORCED STEEL NEAREST THE INTERIOR AND EXTERIOR SURFACES SHALL HAVE A COVER OF 2" TO THE CENTER OF BARS, UNLESS OTHERWISE NOTED.
3. EXCAVATION FOR DROP INLET TO BE INCLUDED IN THE PRICE BID FOR DROP INLET.
4. FOR DETAILS OF REINFORCING TO LOWER PORTIONS OF INLET SEE APPROPRIATE SQUARE STORM DRAIN MANHOLE DETAILS.
5. DEPTH OF DROP INLET FROM FINISHED GRADE TO FLOW LINE OF INLET IS VARIABLE. APPROXIMATE DEPTH WILL BE SHOWN ON PLANS AT LOCATION OF INLET.
6. ALL STANDARD DROP INLETS SHALL HAVE ONE OPENING ON EACH SIDE UNLESS SHOWN ON PLANS.
7. DECK MAY BE REINFORCED SAME AS STANDARD SQUARE STORM DRAIN MANHOLE.
8. CAST IRON FRAME AND COVER WITH CHAIN. VULCAN V-1874 OR BASS AND HAYES PATTERN NO. 103, OR APPROVED EQUAL.



**CITY OF
DECATUR**

DRAINAGE SYSTEM CONSTRUCTION DETAILS
STORM SEWER DROP INLET

REVISED MAR 2000

SCALE: N.T.S.

SHEET: **D-7**