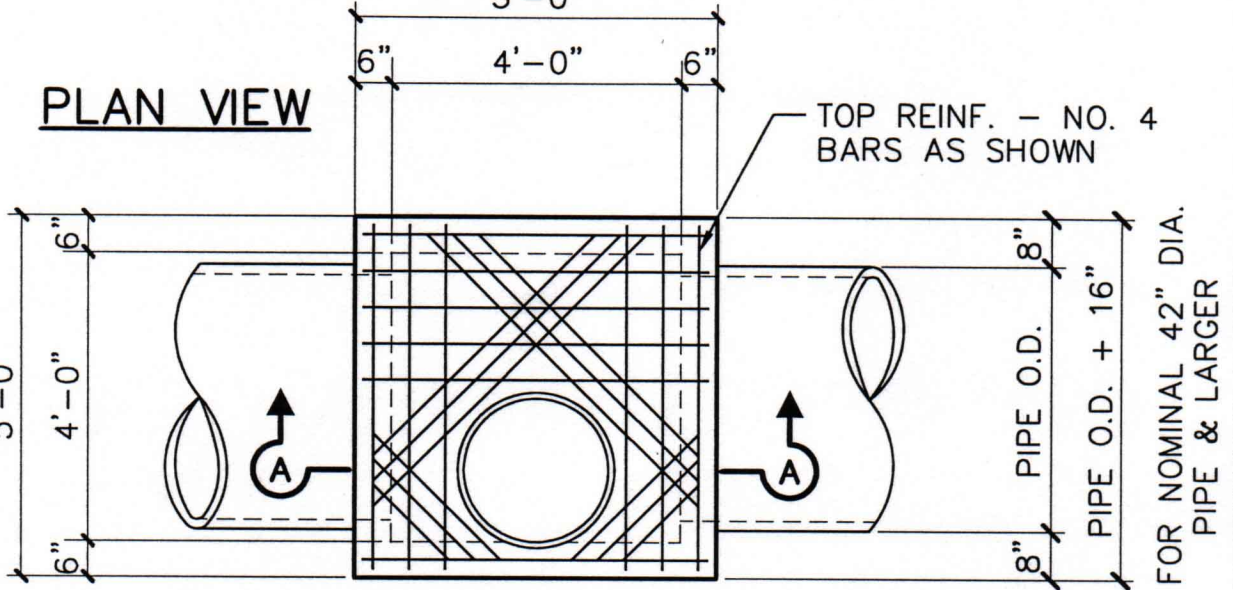


FOR NORMAL 39" DIA.  
PIPE & SMALLER

5'-0"

**PLAN VIEW**

FOR NORMAL 39" DIA.  
PIPE & SMALLER  
5'-0"



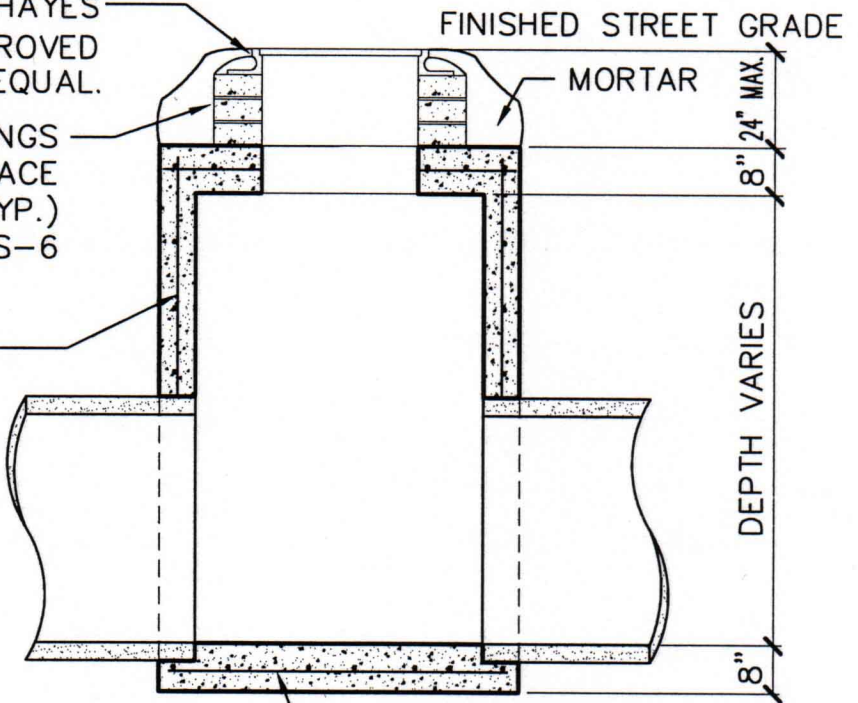
TOP REINF. - NO. 4  
BARS AS SHOWN

8"  
PIPE O.D.  
PIPE O.D. + 16"  
8"  
FOR NOMINAL 42" DIA.  
PIPE & LARGER

MANHOLE FRAME AND COVER  
SHALL BE CAST IRON VULCAN  
V-1874 OR BASS AND HAYES  
PATTERN 103 OR APPROVED  
EQUAL.

CONCRETE EXTENSION RINGS  
PRECAST OR CAST IN PLACE  
(8" WIDTH TYP.)  
SEE SHEET S-6

#4 BARS @ 9" C-C  
BOTH WAYS



FINISHED STREET GRADE

MORTAR

8" 24" MAX.

DEPTH VARIES

8"

#4 BARS @ 9" C-C  
BOTH WAYS

**NOTES:**

1. LARGER JUNCTION BOXES SHALL BE DESIGNED BY THE ENGINEER AND SUBMITTED TO THE CITY ENGINEER FOR REVIEW.

**SECTION A-A**



**CITY OF  
DECATUR**

DRAINAGE SYSTEM CONSTRUCTION DETAILS  
**STORM SEWER MANHOLE**

REVISED MAR 2000

SCALE: 3/8" = 1'

SHEET: **D-8**