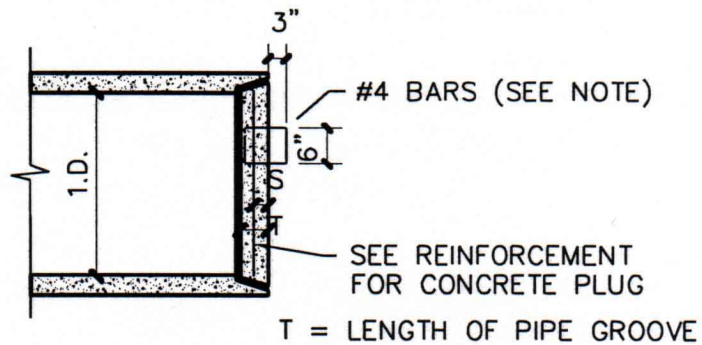


**REINFORCED CONCRETE COLLAR**

**NOTE:**

COLLARS MAY ONLY BE USED TO REDUCE THE DIAMETER ONE PIPE SIZE. A JUNCTION BOX IS REQUIRED FOR REDUCING MORE THAN ONE PIPE SIZE.



**REINFORCED CONCRETE PIPE PLUG**

PIPE SIZE	REINF. BAR	DISTANCE C-C BOTH WAYS	S
18"-33"	# 2	12"	1/2 T
36"-54"	# 3	12"	1/3 T
60"	# 4	12"	1/4 T

**NOTE:**

STEEL HANDLE FOR REINFORCED CONCRETE PIPE PLUG SHALL BE LOCATED 1/4 I.D. ABOVE CENTER POINT OF PLUG. TWO (2) STEEL HANDLES WILL BE REQUIRED ON PLUGS OF 36" DIA. PIPES OR LARGER AND SHALL BE PLACED 1/4 I.D. APART AND 1/4 I.D. ABOVE CENTER OF PLUG.



**CITY OF  
DECATUR**

DRAINAGE SYSTEM CONSTRUCTION DETAILS  
**STORM SEWER REINFORCED  
CONCRETE COLLAR**

REVISED MAR 2000

SCALE: 3/8" = 1'

SHEET: **D-9**